

# NORTH TEXAS DISTRICT SIGNAL FIRE

April 2004

**POW WOW  
June 4-6**



**National Programs  
Coordinator  
Brian Hendrickson**

**Count Down**

## Inside This Edition

Page 2 . . . . Mandatory Background Checks  
Page 3 . . . . FCF Frontier Adventure  
Page 4 . . . . Pow Wow Workday  
Page 4 . . . . ANTC  
Page 5-6 . . . . Pow Wow 2004  
Page 6 . . . . Module Training  
Page 6 . . . . National Redezvous

Page 8 . . . . Sarge Training Academy  
Page 9 . . . . Ranger of the Year  
Page 11 . . . . Nigeria Royal Rangers  
Page 13-14. . . Australia Royal Rangers  
Page 15 . . . . Prayer Vigil  
Page 16-17. . . Divisional Reports  
Page 19 . . . . Camp Stove Plans

**Reaching, Teaching, and Keeping Boys for Christ in the North Texas District**

# Questions to the District Staff

As we receive answers to these questions, they will be posted with the results.

1. What will your outpost do this summer to keep your boys interested and numbers up?
2. What prevents your outpost from participating at district events such as Pow Wow?

If you have questions you would like to see answered, please send them to us and we will post them in each issue of the Signal Fire.

Please send all questions and answers to the Royal Rangers secretary at [rangers@northtexas.org](mailto:rangers@northtexas.org) or you may call Teresa at 817.589.0082 (Monday—Wednesday)

## Background Update

Commanders,

As you have heard, all commanders and helpers over the age of 18 need to have a full background check and a copy of the results in my office before Pow Wow. Commanders, we have been pushing this for over 20 years. Now is the time to step up and do all that is possible to make sure our boys are safe. I know how you have tried, and now all that we have to do is do it. Your pastor knows about this procedure and has received a letter from the superintendent on how to implement this in all churches. We have included a source where you can do these background checks very reasonably. Commanders, let's do all we can to make this the safest district around.

Paul Patterson, District Commander

## **MANDATORY BACKGROUND CHECKS** **NOW REQUIRED**

Attention: All Royal Rangers  
Commanders  
EFFECTIVE IMMEDIATELY  
(March 17, 2004)

The national office and Executives of the North Texas District is making it mandatory that any person (18 and older) must have a completed national criminal and state sex offender background check with results on copy at the district office.

Anyone without the above documentation will not be permitted at any district function or permitted at Lakeview Camp.

The district must receive a

certified and complete background check on each person from the church every two years.

This includes dads, commanders, pastors, and anyone else from your church over the age of 18.

Every pastor is aware of this. Remember: this is for the safety of our boys.

If you plan on attending Pow Wow or Sarge, make sure you get these in ahead of time.

If you have further questions regarding this issue, please work with your pastor.

# FCF Frontier Adventure 2004

If you have green horns that have completed the Trail of the Grizzly and want to get into FCF, the time is near! The FCF Frontier Adventure will be April 23-24 at Lakeview camp near the lake. I will need to get FCF applications by Friday, April 9. Applications will not be accepted after this date, due to arrangements that need to be made based upon a head count. I have provided my address below which is where you should send the FCF applications.

When I get the applications, I will mail the applicant and his sponsor a letter detailing what is expected of them, what to bring, where to come, and what time to be there. It is important that each applicant be sponsored by another FCF member in order for the applicant to be tutored. Applications will not be accepted without a sponsor and his address and phone number listed on the form.

Sponsors, make sure your applicant is taught all the things that he will need to know in order to complete the Adventure. The fee for the applicant will be \$35 which should accompany the application. This fee should be paid by the sponsor. A short reflection will be done before the Adventure to make sure the applicants know the material they should have learned during their Trail of the Grizzly.

I look forward to seeing many new members in the Shawnee Chapter!  
So, study and be Ready for new Adventures!

Gary WildWind Bierschwale  
5 Carey Lane  
Lucas, TX 75002  
Gary.bierschwale@verizon.net  
972-442-1325

# Pow Wow Work Day

## May 22

**When:** MAY 22, 2004 @ 8:00am.  
**Where:** North Texas District Royal Rangers campground.

Commanders! Have you ever taken your boys to a campground and it took HOURS to get the campsite safe and suitable to camp in? Getting there after dark just made it more challenging. You can eliminate all the horrors of camping and come to workday. Every outpost attending Pow Wow will need to be at WORK DAY to clean a campsite for your outpost. Bring your boys to help you.

We are out of camping area so we will be clearing new areas for camping.

### Things to bring to Work Day:

- Mowers (to mow designated areas)
- Tractors and Brush Hogs
- Weed eaters
- Goggles
- Chain saws
- Limb trimmers
- Bow Saw
- Ax

- Trailers (To haul the branches and limbs)
- Boys with gloves
- Boys with goggles
- Men with gloves
- Men with goggles
- Small first aid kit (for the commander)
- Fire ant and insect prevention for your campsite

Please bring a piece of plywood (and stakes to anchor sign) with your outpost number painted on it to identify your campsite for Pow Wow.

No meals will be provided.

Be prepared to pay your pre-registration of \$25.00 at workday for your pre-assigned campsite. This will be deducted from your Pow Wow registration.

You must attend work day to get an assigned campsite. Those who don't will be assigned a site at registration. This site may not be as good as you would like, but remember the early bird gets the worm.

## Advanced National Training Camp (ANTC)

### April 29-May 2



Are you not wanting to travel a long distance to attend ANTC? If so, this is the last chance to attend ANTC in North Texas for the next couple of years. If you have already attended National Training Camp (NTC), why not consider attending this year's Advanced National Training Camp at Lakeview Camp near Maypearl. You will learn a lot and it will inspire all leaders to a greater involvement in the Royal Rangers ministry.

This camp is confirmed so if you plan on attending, make sure you get your physical and application to the National Office ASAP.

You can find the application at  
<http://royalrangers.ag.org/applications/>

# Pow Wow 2004

## June 4-6

### Countdown (Joel 2:28)

Throughout the history of the church, there have been many revivals and events where the Holy Spirit was poured out and great signs and wonders were seen by those around. We're *expecting* God to do the same at Pow Wow 2004. So come anticipating the move of the Spirit and anxious to dive into His flow and be swept up by His awesome power. Lives will be changed and renewed, hearts will be given to the Lord, and revival will occur as we prepare our hearts and the hearts of our boys even now to receive what the Lord has in store for us, His children.

Brian Hendrickson will be with us this year as our speaker. Brian serves in the national office as the programs coordinator. Brian came to the national office from Loyaltan, California in November 1999 to assume the

He has leadership experience in the Royal Rangers ministry as a commander at Loyaltan Assembly of God, and in district and sectional responsibilities for the Northern



California-Nevada district. Brian is responsible for writing new curricula for the Royal Rangers ministries. He presently serves as outpost chaplain at Praise Assembly in Springfield.



role of National Straight Arrows, Buckaroos, and Challengers Coordinator. Brian graduated from Bethany College with a BA in Cultural Studies. After serving in missionary and pastoral ministries, Brian returned to Bethany to obtain his teacher's certification.

The Combat Team is a group of Martial Arts Professionals and a Christian martial arts demonstration team. Brian Bryan and the Combat Team travel throughout the United States and world performing at churches, youth groups, prisons, public and private schools, military bases and community outreaches, ministering to the young and young at heart, with their high flying kicks, crushing concrete, smashing boards and awesome displays of strength. Brian is a graduate of Victory Bible College in Tulsa, Oklahoma, fulfilling the vision and direction God has placed in his heart: "To use my God given talents and gifts to reach and teach people about our Lord Jesus Christ." This unique ministry delivers a clear and powerful message using testimonies and personal



experiences to effectively communicate the importance of a personal relationship with the Lord. Check out their website at <http://www.combatteam.com/index.html>



We'll also have another, grander war reenactment. I'm told that the losing commander from last year has been planning a new strategy for this year and promises a different result. We'll see. We are working with the local authorities to try and bring out many forms of emergency response equipment. We've been in contact with the Ellis County Sheriff's office and they're offering assistance and equipment to bring out and show the boys. We're contacting many other organizations through they're office to bring out some interesting tools that they work with in different rescue type situations. The Careflight helicopter might even make a repeat appearance. That's just some of the Saturday activities that we will have for you and your boys.

Our council fire services will once again be lead by the band Altered Life. They were with us last year and we enjoyed their ministry so much. They will be leading our praise and worship as we enter into the time in which God will pour out revival on our men and boys.

Pow Wow registration opens Friday at noon. For those coming from a long way out,

make sure you sign up for FCF help if you need assistance getting camp setup. They will be helping those outposts that come in late and don't get setup before dark. That will be a big help to some of you I'm sure. There will be a packet coming to your church that has registration forms, schedules, and important information. It is mailed to the church so make sure you pick it up from your secretary or pastor. So come expecting revival to be poured out on your outpost and be ready to take it back to your church through the changed lives of you and your boys.

Jeff "SkyWatcher" Kersey  
NTD Productions Coordinator  
[jeff@royalrangers.net](mailto:jeff@royalrangers.net)  
817.249.7790



If you have questions that you would like to see answered, please email them to Mark Oliver at [mark@royalrangers.net](mailto:mark@royalrangers.net) or you can send them to the district office (address on back page). They will be answered in upcoming Signal Fire newsletters.

# DISTRICT MODULES TRAINING DAY

North Texas District Module Training will be held at First Assembly of God in Stephenville, Texas on April 17th. The cost of the training will be \$20 if you pre-register by April 10<sup>th</sup>. The cost at the door will be \$25 if not pre-registered.

The list of modules follows:

- Transition Module – 6 hours
- Ranger Kids Activities – 4 hours
- Discovery/Adventure Activities – 4 hours
- Expedition Activities – 4 hours
- Successful Outpost – 4 hours
- Discipleship 1 – 3 hours
- Child Substance Abuse – 3 hours
- Safety and the Church – 3 hours
- FCF – 2 hours
- Outpost Chaplin – 2 hours
- Outpost Council – 2 hours
- Ranger of The Year – 1 hour

There are many different lodging options available in Stephenville. Some of these include:

- Days Inn 254-968-3392 (4 per room \$61\*)
- Comfort Inn 254-965-7162 (\$65\*)
- Best Western 254-968-2114 (4 per room \$63\*)

\*prices subject to change also there is a dog show this weekend

You will be on your own for lunch. The schedule is currently:

8:00—8:55 am . Opening  
9:00-12:00 ..... Classes  
12:00 - 1:00 ..... Lunch on your own  
1:00 - 4:00 ..... Classes  
4:00 - 5:00 ..... Commander Awards

The pre-registration form can be found on the District website: [www.royalrangers.net/ntd](http://www.royalrangers.net/ntd) or by calling the district RR office at 817.589.0082.

## National FCF Rendezvous July 12-16



Attention all young bucks and old timers:

The National Rendezvous is July 12-16 2004 at Camp Eagle Rock and I would like to encourage all FCF members to make every effort to attend. So old timers and young bucks get your trade goods ready and your outfits dusted off for a great time this summer at camp eagle rock. There is going to be outfit judging, hawk and knife throw, black powder shooting, yarn spinning, and some great fellowship. If you plan on attending, check-out the national web site for registration info

(<http://royalrangers.ag.org/fcf/rendezvous.cfm>)

I hope to see you there and remember to keep your powder dry.

Curtis "Shinning Spark" Woods  
Plainsmen Territorial Scout

# Steps to Sarge Training Academy

Considering sending some of your Royal Rangers to Sarge Training Academy? Not too sure how to make it all happen? Wondering which camp is best for your Royal Ranger and what classes will be offered? There are some particular steps to take and some time requirements to insure the best camp possible. The place to start is the North Texas District website, select the Training tab and then the Boy's Training tab. Here you will find an application, list of classes, equipment lists, camp descriptions, and various information packets available.

Your first job is to identify those boys that would like to go to one of the camps, either a beginner in the Discovery camp or a boy working on merits that needs a jump start or a week of concentrated merit completion. Perhaps you have a Royal Ranger ready for some concentrated leadership skills. You will find descriptions of the various camps and information to help you determine which camp is best for your boys.

Page 1 of the application is due to be post marked to the district office by June 7. Once the boy's application is received a camp packet will be returned to the boy or commander with information on his camp. Camp starts Sunday June 27. If you want to be sure all the paper is where it should be in time, it would be wise to have your boy's application submitted before the end of May. Page 2 & 3 - Medical Record and Authorization for Treatment forms are due when the boy arrives at camp.

There is a discount of \$25 for completing the application and forwarding it to the district prior to June 7, or a penalty of \$25 to \$50 for sending it after the 7<sup>th</sup>.

APRIL – Talk with your boys and their parents about Sarge Training Academy. Gather information to answer their questions and yours so you can make an informed decision as to which Royal Rangers should be in which camp.

May – Review the camp descriptions and equipment lists with the boys and the parents so everyone understands what to expect. Go over the merit camp schedule for the Advanced Merit Camp participants. Determine which merits they need or want to take and how their schedule will work. Prepare the applications required and send them into the district.

June – Review the camp packet received from district for your boys' particular camp. Help your boys prepare for camp with the correct equipment, uniforms, camp plans, and attitude. Get the Medical Record form and 2004 Authorization to Consent to Treatment of a Minor form completed and insure the boys take them to camp. Take your boys to camp and stay and enjoy a great week.

Advanced Junior Training Camp – AJTC – Junior Training Trails – JTT – and Junior Canoe Expedition – JCE require personal interviews with the camp commander and the boy. AJTC interviews will be held at Pow-Wow June 4, 5, & 6. Completed applications must be brought to the interview.

---

## INSTRUCTORS

Instructors if you have not completed the Instructors Certification Renewal Form time is running out. There are a number of instructors that your training modules that you are teaching may not be accepted due to your failure to get recertified. Please check the district website (<http://www.royalrangers.net/ntd/training/instructors.htm>) and make sure your certification is up to date.

All Registration forms, Award Forms, and applications can be found at <http://www.royalrangers.net/ntd> under forms. If you do not have access to the web, please contact your sectional commander or the district office.



## 2004 District Calendar

<b>April</b>	3	Staff-in-Training for Sarge Training Academy
	17	District Modules Training and Awards Ceremony
	23-24	FCF Frontier Adventure
<b>April 29—May 2</b>		Advanced National Training Camp, Lakeview
<b>May</b>	15	Staff-in-Training for Sarge Training Academy
	22	Pow Wow Workday
<b>June</b>	4-6	District Pow Wow
<b>June 26—July 3</b>		Sarge Training Academy
<b>July</b>	12-16	National FCF Rendezvous
<b>August</b>	13-14	Academy of Ranger Training
		LTA Campout, Advanced Rangers Training
<b>September</b>	10-11	Instructor Certification Seminar
	16-19	National Training Trails, New Mexico
	25	District Ranger of the Year Testing
<b>October</b>	3-9	National Royal Rangers Week
	7-10	National Training Camp, Chandler, Oklahoma
	19	Light for the Lost Banquets
	21-24	National Training Camp, San Antonio, TX
	29-31	FCF Family Days
<b>November</b>	12-13	District Winter Camps
	20	Regional Council for District Staffs
	21	Regional Ranger of the Year
<b>December</b>	11	FCF Family Banquet

## Ranger of the Year

Many changes have been made in selecting Rangers of the Year (ROTY). We will do our best to provide you with the tools in your selection. To help you understand the process the national Royal Rangers website has the guidelines to select the Ranger of the Year. We will make every attempt to follow them. Certainly, some adjustments will have to be considered during this transition.

Many of you are thinking about the expense. Please don't let this discourage you from participating. We must focus on the boys and not how to pay for it. There are other ways to honor the ROTY, which may be just as good.

The national office has selected a target date

of June 2004 to finalize the ROTY program. Until we know exactly what is expected we will just continue on doing what we are suppose to do. Reach, Teach and Keep boys for Christ, and make Rangers fun and challenging. Anything other than that and we need to evaluate ourselves.

We will try to keep all the sectional commanders informed of the latest. I encourage you to do the ROTY selection. This year will be a challenging process for us all. We will overcome our mistakes and do better next year.

We'll have a time of sharing at the district training and awards ceremony on the ROTY program.

## 2004 Sarge Training Academy

June 27 – July 2 is the date that the Lord above is preparing hearts and souls of young men and boys to have their lives altered by the experience of Sarge Training Academy. Sarge Training Academy (STA) is not just a place where boys come to have fun and learn new skills and merits, it is a place where the prepared hearts of those attending are met by the Holy Spirit and their spiritual needs are met by the Glorious Father.

The boys from all of the camps reported seeing the hand of the Lord at work last year, and we're looking for and expecting more of the same this year. Discovery Adventure Camp (DAC) is for Discovery Rangers that have completed the 3<sup>rd</sup> grade. It is a camp where a boy begins to learn the basics about camping and safety. Advanced Merits Camp (AMC) is a camp for boys who are working toward their Gold Medal of Achievement. The camp will offer over 40 merits for all age boys working on their advancement trail. Junior Training Camp (JTC) is for Adventure Rangers that have completed the 7<sup>th</sup> grade, and offers the opportunity for learning leadership skills through the patrol method and



leadership challenges. Advanced Junior Training Camp (AJTC) offers those boys who have completed JTC an opportunity for advanced training and learning such things as soul winning and the 16 Fundamental Truths and many others. Junior Training Trails (JTT) is a backpacking trip for those boys who have completed JTC. While on this trip the boys will work as a patrol and work on some advanced merits, all from the comfort of their backpack. Junior Canoe Expedition (JCE) is another option for those boys who have completed JTC. The boys will work as a patrol and canoe down a river

while working on advanced merits. Last year was our first year for this camp and it was a great success. We are expecting a larger number this year. So register your boys early.

Our staff is coming along but we still need help as advisors, instructors, cooks, etc. Our first Staff in Training (SIT) camp is April 3. You can



come in Friday evening and spend the night in the lodge if you would like, or just be there by 8:00 AM Saturday. We should be completed by noon. If you're just interested in Sarge and still considering coming out to help. Show up on the 3<sup>rd</sup> and see what there is that you can help us with. You will find in this newsletter an article about how to get your outpost ready for Sarge. Read it carefully and use the timeline information to make sure your boys are on time with everything. You can get your forms and additional information from the district web site as well as updates regarding Sarge.

Jeff Kersey, [jeff@royalrangers.net](mailto:jeff@royalrangers.net)  
STA Program Coordinator



## Nigeria Royal Rangers

The North Texas District has been very active in meeting the needs of others in foreign lands in the past. We have participated in such projects as the Latin American Royal Rangers Training Center In Costa Rica (and will again I understand), and financing the construction of a church in Assaya , Ecuador. This kind of ministry sets the North Texas District a step above the average. I would like to present to you another opportunity to help in Africa. This would be a low cost project but would have a huge effect in Nigeria. I have just returned from Nigeria, Africa. I got home on Monday night. I had a pretty bad case of Diarrhea and sleep deprivation. I lost 12 pounds and am extremely tired. It was rewarding and very educational to be in Africa. The need is huge there. Besides the need for fresh drinking water and basic living needs, the Royal Rangers there have a need that we here in North Texas can meet. All we need to do is gather up all the old program materials that we have laying around , compile it in one place , and mail it to the district office of the Jos District in Platou State , Nigeria , Africa. I traveled with the District Supt. for a week and found out he is active in the Royal Rangers there in Jos District. I found out they struggle with uniforms, patches, awards, merits, and books. These are things that most of us have laying around , and we can't use them. God has a place for

them in Africa. The good news is, there are so many different languages there they use English Royal Rangers materials to make it equal for all. They need what we don't need. I have the Jos District Superintendent email address if you would like to communicate with him . nirat@jbware.net. I haven't got a mailing address from him yet. I wanted to wait till I got some feed back from you before I told him anything about us sending stuff to them. I will be leaving tomorrow for about 10 days and will be home on the 8th of December. I may be able to check my email while I'm gone but I don't know for sure.

Bro. Paul, I must apologize for my inactivity in Royal Rangers the past year, but I have been so busy with the mission. I am in a different church every Sunday and some Wednesdays. The Lord has been good to this ministry but it takes my every waking moment to accomplish what God wants done. I still participate locally as much as I can which is not as much as I would like. I almost always have to leave early or don't get to go at all. That's hard on an old Royal Ranger.

OK, I will let you go. You are a very busy guy as well . And you need to get back to it too. Let me know what your thoughts on Ranger Aid to Africa.

Rev. Donny Sapp

## The Reflection of a Commander

The other day a young man stopped me and said "Do you remember me, sir?" I looked at him carefully and then had to admit to him that he looked familiar but I could not remember his name. "You taught me how to use my compass at a campout" he said. "I had tried to understand how to use one but it never made sense until you took the time to help me." While working as a Royal Rangers commander I have had the privilege of helping boys learn many skills. While I was reflecting to remember the camp the young man was referring to he continued on: "I remember that camp and everything that happened because that night at the council fire I was filled with the Holy Spirit. I had accepted Jesus into my heart at our outpost meeting several weeks before." I told him this was great to hear. He continued: "that was a number of years ago. I just finished my studies in college and am working as an associate youth pastor."

Again I congratulated him on his accomplishments. Again he continued: "When I saw you I wanted to say thank you and the other commanders who took the time for us. While I still don't fully understand it, I truly believe the time you spent helping me during the day with my skills prepared me for the council fire that night."

Helping a boy understand how to use a compass did not directly lead to him becoming a youth pastor. However, spending a few quality minutes with him at a critical time was one of many pieces of the puzzle of his life when put together with the guidance of the Holy Spirit led to this place. Royal Rangers is a ministry provided by men to Reach, Teach, and Keep boys for Christ. We never truly know the impact we are having but we can be assured that our investments are making a difference.

Anonymous

## 2004 Brush Poppin Update

Well.....

If you missed Brush Poppin, you missed a good time and the chance to win a new smoke pole!

We started out by trekking in on the back of a tractor, because that's the only way you could get across the creek! It was beautiful once you got on the other side and the camping spots were plenty under the trees. Friday night we had a wonderful council fire with Mike Eddy telling us about obstacles and how to overcome them. The music was grand and the fellowship with God was picture perfect! After the council fire we grabbed our smoke poles and headed down to the firing range for a little one-on-one with a candle shoot. If you have never tried to load and shoot your gun without any light.... You ought to try competing in a candle shoot! You learn some good ideas on how to arrange a shootin pouch for handy use!

Saturday we started out with a little wisdom from ol' Coal.... wisdom?..... the two don't quite go together... do they? Ha Ha!!! Just kiddin Coal!! After the wisdom we went to the ball runnin pit and attempted to run our balls for the days events. Some folks did real good at makin their own bullets, but some..... well, we had to bend the rules a bit and let some folks borrow bullets to shoot! Down at the range we had all kinds of targets to shoot at for points.



We had gongs, bears, coffee cups, tea pitchers, potatoes that exploded when you hit them, and a bell you could ring a hundred yards away

( the bell was pretty safe, but it did get rung a time or two....).

At the end of the day's events we threw a couple of blankets down and the oldtimers piled plunder on it for the youngbucks to come by and get. Yep, we lined the youngbucks up in a row and let them come by the blankets one at a time and get something until all the plunder



was gone! Some of those youngbucks made a killin!!

Oh, speakin of youngbucks, we had an election for our new Scout and assistants. After the votes were tallied and the compettin done, our new Scout is Caleb Bennet, with Kia Bennet as 1<sup>st</sup> assistant, and Michael Avrit as 2<sup>nd</sup> assistant. I can't wait to see how our new Scouts get things stirred up!

After all the score cards were handed in and added up, we had an announcement of the winners of the shootin irons. All 80+ attendees were surprised when they found out the prizes were awarded to the worse scores! Yep, the staff figured months ago that the ones who tried the hardest and didn't hit the mark were the ones that needed a shootin iron worse... and we were right! The winner of the youngbuck rifle was Lane Havel and the oldtimer was Joe 'Soul Stalker' Watts! So these guys get braggin rights to winnin the irons..... but not for punchin holes!!!

If you did miss the Brush Poppin this year.... make plans to be there next year, because it will be bigger and better!!

Gary 'Wild Wind' Bierschwale

# Australian Royal Rangers Australian Camporama

Ever wondered what a Camporama would be like in another part of the world. Crikey – how about “Down Under” in Australia.

The last Australian Camporama was held in January 2001 at a place called Bathurst – famous for an annual 600 mile production car race. In Australia, Camporamas are held in different state each 4 years (we have 7 states in Australia). Bathurst is in New South Wales, and is about 200 miles West of Sydney. The camp actually started on New Years Eve 2000 and the opening ceremony started at midnight on 1<sup>st</sup> January 2001!

The actual location was a local college. As the camp was held during the Australian school term break in



January, Rangers had full use of the full facilities including full cafeteria catering and excellent meals. Rangers camped on the oval and meetings were

held in a school hall. The Ranger team moved in a week early are ensured sufficient ablution blocks and facilities were available for the boys, girls, men and woman in the Australian program.

Rangers had a choice of activities to participate in including:

- Abseiling



- 10 pin bowling
- Bathurst Tours
- Canoeing and swimming
- Gold fossicking
- Caving
- Observatory Visit
- Horse riding
- Golf
- Patch and Pin swapping

## Australian Royal Rangers (cont)

On registration each Ranger was given a Polo shirt, a Tee shirt (for screen printing) patches pins and a hat.

In the USA, around 6500 rangers attend Camporama. The Australian camp had around 300. Unfortunately at that time the area was in the middle of a drought period, and bushfires ravaged throughout NSW. As a result around 50 Rangers could not get to the camp because of blocked roads. Ranger Australia received special permission from the Fire Service and were the only ones in the district to have a fireworks display.



The next Australian Camporama will be held January 3<sup>rd</sup>-5<sup>th</sup> 2005 near Melbourne Australia. Overseas guests are always welcome and details of the camp will be available on the Rangers

Australia website  
[www.rangersaustralia.org.au](http://www.rangersaustralia.org.au)



Warren Billson  
Australian National Commander  
[info@rangersaustralia.org.au](mailto:info@rangersaustralia.org.au)



We had our own team of FCF members in Redcoats to keep the peace.



# 35 Hour Prayer Vigil Pow Wow 2004

On June 4-6 during the North Texas District Pow Wow, we will be conducting a 35-hour prayer vigil. Our goal is to have prayer in progress the entire time that the boys are at the camp. The salvation and safety of the boys may depend upon your participation. You may be the one to reach God at the right time for a boy to accept Him.

There will be an area set aside for continual, uninterrupted prayer for the duration of the Pow Wow. Each section has a specific time assigned and has been provided with a copy of the agenda. If you think you cannot pray for an hour, try the agenda. If you follow it, you may there longer.

Commanders, bring your boys to prayer time. **Train them to be “A Threat to the Kingdom of Darkness”!** Over 1,000

men and boys in prayer will bring down some strongholds.

Prayer is a priority during the Pow Wow. Pray especially at the time designated but also be in continual prayer. Remember you are speaking to and listen to God Himself during this time. He is your best friend and loves to hear from you.

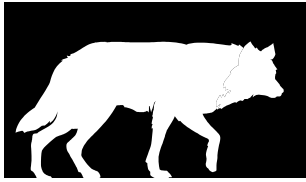
Those who participate will receive favor and a blessing from God for the sacrifice of time, energy and, in some cases, sleep.

A copy of the schedule is included in this newsletter. If you have any questions, contact your section commander.

Randy Woods  
North Texas District  
Royal Ranger Missions Coordinator

## Prayer Vigil Schedule for Pow Wow 2004

<u>Friday</u>	19:00 to 20:40 .....	Wichita Falls
	20:40 to 22:20 .....	Cross Timbers
	22:20 to 00:00 .....	Abilene
<u>Saturday</u>	00:00 to 1:40 .....	Denton
	01:40 to 3:20 .....	Plano
	03:20 to 5:00 .....	Greenville
	05:00 to 6:40 .....	North Fort Worth
	06:40 to 8:20 .....	South Fort Worth
	08:20 to 10:00 .....	Mid-Cities
	10:00 to 11:40 .....	South Dallas
	11:40 to 13:20 .....	Waxahachie
	13:20 to 15:00 .....	North Dallas
	15:00 to 16:40 .....	Texarkana
	16:40 to 18:20 .....	Tyler
	18:20 to 20:00 .....	Longview
	20:00 to 21:40 .....	Trinity Valley
	21:40 to 23:20 .....	Lufkin
	01:20 to 01:00 .....	Brazos Valley
<u>Sunday</u>	01:00 to 02:40 .....	Waco
	02:40 to 04:20 .....	Austin
	04:20 to 06:00 .....	San Angelo



**West Central Division  
Wolf Pack**

Greetings Commanders, well we have started a new quarter, and here are a few things we need to know about, and get involved in.

Let me start by saying a big thank you to all of you that attended the Regional Conference in Richardson, Texas in January. This was one of the best conferences I have attended in a long time. The hotel was great, the classes were well planned, and instructed, the vender booths was very good, a lot of good information and products were available. I would like to say thanks to all the regional staff for their hard work to put on such a wonderful conference.

For all the commanders that missed the Conference, you missed a lot, and we hope to see you next year for an even better Conference.

Let me tell you about a few activities that happened in the sections in the past three months. We will start with South Ft. Worth Section on February 27<sup>th</sup> & 28<sup>th</sup> they enjoyed a two day canoe trip down the Brazos River. Man, there is nothing more fun than a canoe trip in late winter. I heard that all that went had a wonderful time and had a good time with the Lord on Friday night around the campfire.

On March 26<sup>th</sup>, & 27<sup>th</sup> the boys and commanders enjoyed their Spring Round-up Camp-out, I have heard good reports on this camp-out, and a great deal of fun and excitement was had by all that went. Keep up the good work South Ft. Worth.

Let us now see what North Ft. Worth Section has been doing. On March 6<sup>th</sup> a Ranger Basics Class was held at Family

Christian Center in Azle, a good number of Commanders took advantage of this training and a good class was given.

Thanks to all the sectional staff & instructors that put this class on, good work guys.

I didn't get a report of any activities from the Mid-cities Section; I have heard that they have a big second quarter planned.

Commanders here are the events that we need to get our boys and ourselves involved in this quarter.

South Ft. Worth, North Ft. Worth, & Mid-Cities Sections:

- 04/03 Sarge SIT meeting
- 04/17 District Module Training & Award Service
- 04/29,30 ANTC @ Lakeview Camp
- 05/01,02 ANTC @ Lakeview Camp
- 05/15 Sarge SIT meeting
- 05/22 Powwow Work Day @ Lakeview Camp
- 06/04-06 District Powwow
- 06/26-30 Sarge Training Academy
- 07/01-03 Sarge Training Academy

North Ft. Worth Section:

- 04/24 Ranger Kids Day Camp @ Camp Burnett in Southlake

Mid-Cities Section:

- 05/07,08 Spring Round-up Camp@ Lakeview Camp

I am looking forward to seeing all of you at these events, so let us get our boys, and get out there and do the Lords work.

Faithfully in His service.

Roger Stewart Divisional Commander



# North Division

Check your gear – check your calendar – be ready!

There are so many things to do – Training – Sarge SIT camps – Pow-Wow – ANTC - Work Day – Awards Ceremony – Pinewood Derby – Spring Round-Up – Ranger Kids Day – Work Day – FCF Frontier Adventure – Sarge Training Academy – and you may even want to take your own outpost camping.

From now until the end of June if you can't find something that interests you and your outpost you are just not paying attention.

Check the District Web-site [www.royalrangers.net/ntd](http://www.royalrangers.net/ntd) check your Signal Fire check your sectional calendar. Lots of choices for you and your boys.

I specifically request you mark your calendar for Pow-Wow Work Day – May 22. This is 8 AM until noon. There is always a significant amount of clean-up and get ready at camp. You will spend a

couple of hours helping clean the over all camp to get ready for Pow-Wow, then you have some time to prepare your own camp site. Have you never had time to actually meet and have a conversation with some commanders in your section and division. This is also an opportunity to do some acquainting. Not many boys to herd and watch over.

Last year there were like 1200 people at Pow-Wow, this year we expect even more and we ain't near ready. Bring some boys (big enough to help). You can camp Friday night and have a good service project camp for your outpost or drive down Saturday morning. I have yet to see a Royal Ranger that could not use some service hours.

Your camp needs your help.

Pat Reilly, North Division Commander

---

## Horsemanship Merit

ATTENTION Commanders:

Are you looking for fun and effective camp-out? A camp where the boys (and men) enjoy learning something new and have a good time doing it. A camp where the council fire message speaks to every boy and commander. A camp where it doesn't matter

if it rains. Then let me recommend Commander Donnie Sapp. His years of experience in horsemanship and working with Royal Rangers will guarantee this camp to be one last create memories that will last a lifetime. Commander Donnie will take the class all the requirements for the

horsemanship merit. Your Rangers and commanders will have the chance to ride the horses in an enclosed pen. Once the Ranger has built up his confidence, he will be able to ride in the field. He will have the opportunity to take the horse from a walk, a gallop to a run. All this excitement and adventure in one weekend.

For more information or to schedule your camp, contact Commander Donnie Sapp at 903-844-0176.

Together in Reaching Boys for Christ,  
Jody Fauss, N.E. Div. Cmdr



# 2004 North Texas District Modules Training Day

## Pre-Registration ONLY

(must be received by district office by April 14)

Saturday Training Day      \$20 (\$15 if chartered)      \_\_\_\_\_

Make checks payable to NTD Royal Rangers

Name \_\_\_\_\_

Address \_\_\_\_\_

City, St, Zip \_\_\_\_\_

Telephone \_\_\_\_\_

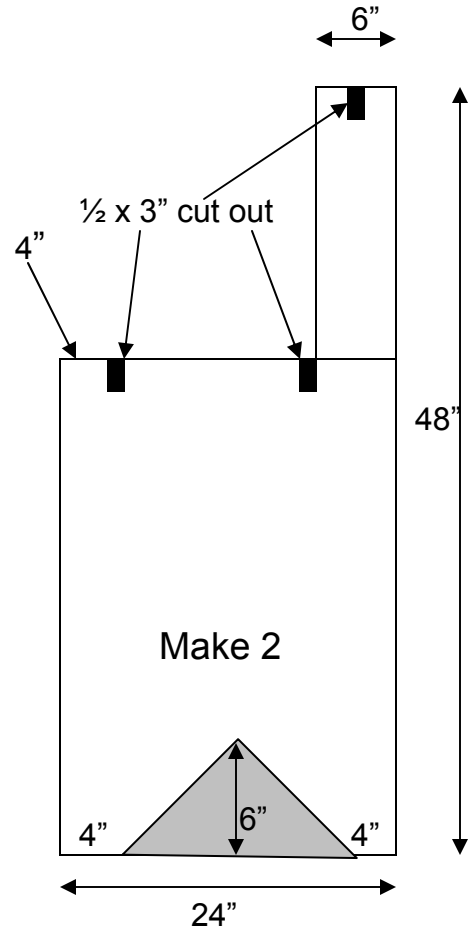
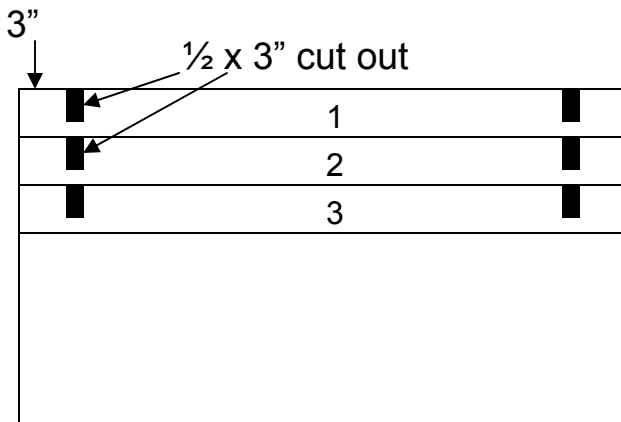
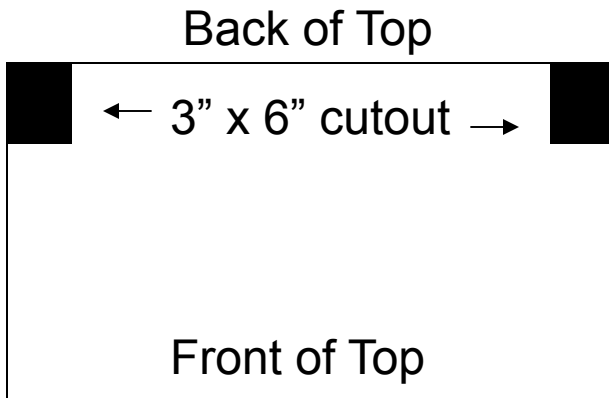
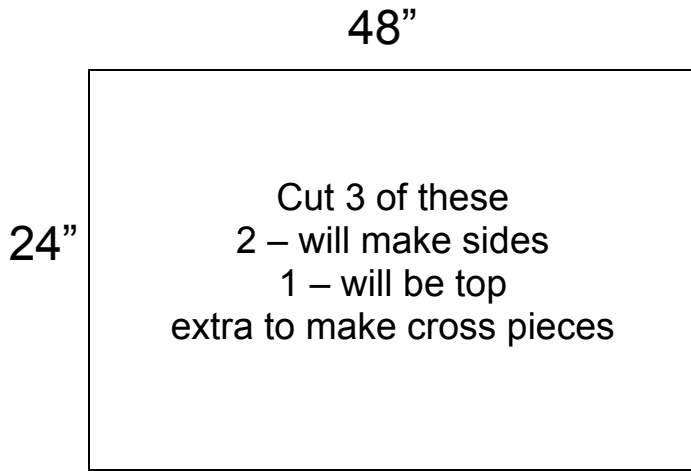
Outpost \_\_\_\_\_      Email \_\_\_\_\_

Mark / Circle the classes you will be taking so you will get credit and certificates for them.

	Room 1	Room 2	Room 3	Room 4	Room 5	Room 6
8 - 9	General Session					
9	Discipleship 1 3 hours	Child Substance Abuse 3 hours	Safety and Church 3 hours	FCF 2 hours	ROY 1 hour	Transition Module 6 hours
10				Outpost Chaplain 2 hours		
11				ROY 1 hour		
12 - 1	Lunch on Your own					
1	Ranger Kids Activities 3 hours	Discovery/ Adventure Activities - 3 hours	Expedition Activities 3 hours	Successful Outpost 3 hours	Outpost Council 2 hours	Transition Module 6 hours
2						
3						
4 - 5	Commanders Awards					

# Camp Stove Table / Wash Table

1 – sheet of 5/8 or thicker plywood



“Signal Fire” is a quarterly publication of the Royal Rangers Ministry of the North Texas District Council Assemblies of God.

District Commander.....Paul Patterson.....paul@royalrangers.net  
Deputy District Commander.....Dwain Klopfenstein.....dwain.klopfenstein@tccd.net  
Deputy District Commander/Missions Coordinator ....Randy Woods.....randy.woods@lmco.com  
Deputy District Commander.....Sammy Kellum.....longhorn@t-oe.com  
Public Relations Coordinator.....open.....  
Productions Coordinator.....Jeff Kersey.....jeff@royalrangers.net  
Training Coordinator.....Marty Reese.....marty@royalrangers.net  
Programs Coordinator/“Signal Fire” Editor.....Mark Oliver.....mark@royalrangers.net  
FCF President.....Gary Bierschwale.....gary.bierschwale@verizon.net

**Divisional Commanders:** *open*-Northwest; Pat Reilly-North; Jody Fauss-Northeast; *open*-Southwest, James Kemp-Southeast; Roger Stewart-West Central; Wayne Word-East Central

**FCF Staff:** Gary Bierschwale-President; Lee Fogleman-Vice President; Terry Gibbs-Scribe; Alan Bennett-Buckskin Rep; Lee Fogleman-Wilderness Rep; Terry Gibbs-Trappers Brigade Rep; Mark Woods-Historian; *open*-Pathfinder/Missions Rep; Steve & Chad Hyatt-Quartermasters/Supply Officer; Daniel Dillow-Company Clerk; *open*-Scout; *open*-Asst. Scout, *open*-Asst. Scout

**Sectional Commanders:** Joey Brennam-Abilene; Mark Chapman-Austin; Mack Cox-Brazos Valley; Israel Perez-Cross Timbers; Alan Armentrout-Denton; Allen Phillips-Greenville; Shane Vestal-Longview; Jimmy Sills-Lufkin; Randy Woods-Mid Cities; Dick Harris-North Dallas; Jack Woods-North Ft. Worth; A.P. Warne-Plano; Jerry Lewis-San Angelo; Ken Johnson-South Dallas; Rodney Briggs-South Ft. Worth; *open*-Texarkana; Roddie McEntire-Trinity Valley; Lindsey Lang-Tyler; Tom Schlipp-Waco; Tim Avrit-Waxahachie; Thomas Watson-Wichita Falls

**NEWS NEEDED**

Is there anything specific you would like to learn more about? If you have some ideas or articles to place in the Signal Fire, the next deadline to receive news is May 21, 2004. Please send your information to: Mark Oliver, 8117 Cloverglenn Lane, Ft. Worth, TX 76123-2018 or mark@royalrangers.net.

**North Texas District Council**  
***Royal Rangers Ministry***  
**P.O. Box 1188**  
**Hurst, TX 76053-1188**

Non-Profit Org.  
U.S. POSTAGE  
**PAID**  
Hurst, TX.  
Permit No. 200