

# UNINTERRUPTIBLE POWER SUPPLY 836 SERIES



## 6 KVA AC UNINTERRUPTIBLE POWER SUPPLY

Leonardo DRS' 6 KVA AC Uninterruptible Power Supply (UPS) provides conditioned backup power to command, control, and communication equipment where a clean, reliable power supply is essential. The input to the UPS is supplied from the ship's 440V, 60Hz, 3-phase AC service power conforming to MIL-STD-1399, section 300. The UPS system provides 115 VAC, 60 Hz, 1-phase high quality output power.

If input power is lost, or if the power quality is outside acceptable limits, the double conversion online UPS system continues to provide the output power for the specified duration using rechargeable storage batteries and upon restoration automatically reverts to mains input power.

Each UPS system is made up of a power unit, which houses the power electronics, plus control and communication circuits and a battery unit, which houses the storage batteries. The UPS system utilizes MIL-SPEC circular connectors for input, output and the battery unit connection.

### HIGHLIGHTS

- MTBF - 40,000 hours
- LCD and LED unit status display
- Built-in-test (BIT) capability
- On-line maintenance of batteries and battery charger
- Various backup time durations available



# 6 KVA AC UNINTERRUPTIBLE POWER SUPPLY

## ELECTRICAL INPUT

Voltage	440 VAC, 3-phase
Frequency	60 Hz
Mating input connector	MS3106F20-4S

## ELECTRICAL OUTPUT

Voltage	115 VAC, 1-phase
Frequency	60 Hz
Backup time	30 minutes @ rated load with external battery unit (requires two external battery units)
Efficiency	>80% at rated load
Mating output connector	MS3106F20-19PW (6 connectors)
Restart	Automatic

## STATUS MONITORING

Display	LCD display
Indicator	LED status

## PHYSICAL

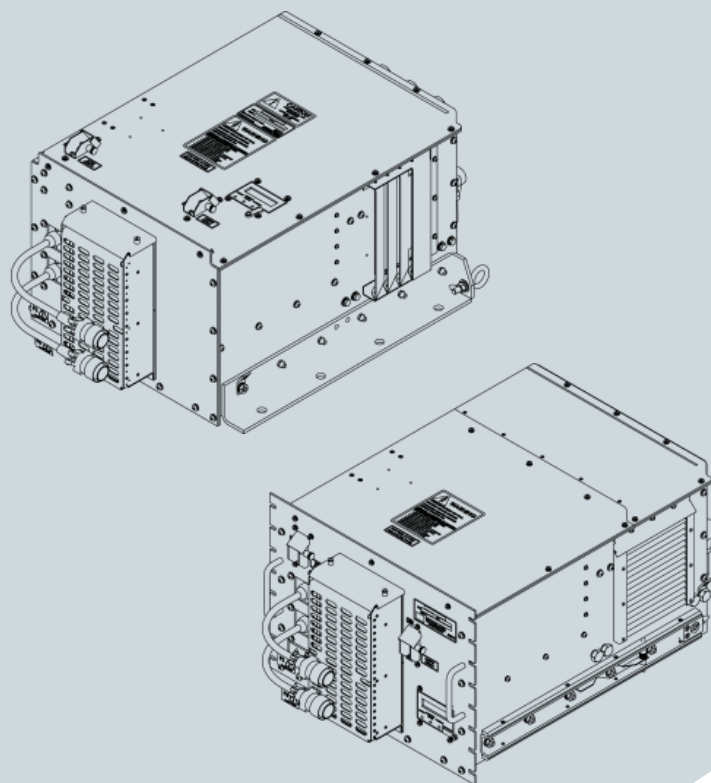
CHARACTERISTIC	MEASUREMENT
Dimensions (bulkhead)	20.2"L X 15.7"W X 28.0"H (513mm X 400mm X 710mm)
Dimensions (rack)	28.5"L X 19.0"W X 14.0"H (725mm X 483mm X 358mm) 8U
Weight	151 kg (331 lbs) (excluding batteries)
Operating temperature	0°C to +50°C / 32°F to 122°F
Cooling	Forced air

## MIL-SPEC QUALIFICATIONS

EMI/EMC	MIL-STD-461D
Vibration	MIL-STD-167-1A, Type 1, 4 Hz to 33 Hz
Shock	MIL-S-901D, Grade A, Class I
Humidity	MIL-STD-810, 0-95%

## ORDERING INFORMATION

Bulkhead mounted w/SNMP	836-01A
NSN	6130-20-001-6317
Bulkhead mounted w/dry contact alarm	836-01AY
NSN	TBD
Rack mounted w/SNMP	836-01B
NSN	6130-20-001-6269
Cage code	38370



## Leonardo DRS

150 Bluewater Road  
Bedford, NS, Canada B4B 1G9  
T +1 902 835 7268  
info@pivotalpower.com

The information in this data sheet is to the best of our knowledge, accurate as of the date of issue. Leonardo DRS, Inc. reserves the right to change this information without notice. Nothing herein shall be deemed to create any warranty, expressed or implied. The appearance of U.S. Department of Defense (DoD) visual information does not imply or constitute DoD endorsement. Copyright © Leonardo DRS, Inc. 2021 All Rights Reserved.